

Surface Mounting Base Series AC8000

AC8001

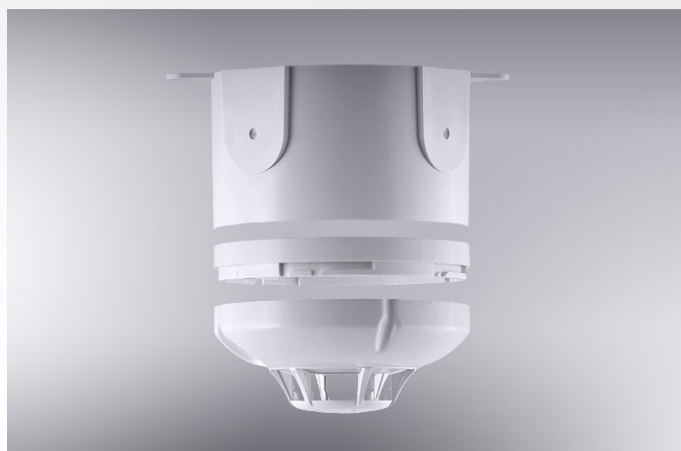


Flanged Surface Mounting Base Accessory AC8001

The installation set AC8001 is designed for external installation of fire detectors from the 7000 and 8000 series.

The set might be used with bases 8000, 8000D, 8000R, 8000RD, 7100, 7100A.

AC8002



Flangeless Wet Surface Mounting Base Accessory AC8002

The installation set AC8002 is designed for installation of fire detectors 7000 and 8000 in damp premises or premises where condensate is formed; for example, hangars, tunnels, underground stations, shafts, etc.

The set might be used with bases 8000, 8000D, 8000R, 8000RD, 7100, 7100A.

AC8003



Rugged Surface Mounting Base Accessory AC8003

The installation set AC8003 is designed for installation of fire detectors 7000 and 8000 on rough surfaces.

The set might be used with bases 8000, 8000D, 8000R, 8000RD, 7100, 7100A.



Office building UniPOS,
1 Efr. Nikola Paskalev Str., Mladost 1, Sofia 1748, Bulgaria
Phone: +359 2 97 439 25, +359 2 97 444 69

47 San Stefano Str., Pleven 5800, Bulgaria
Phone: +359 64 891 100

www.unipos-bg.com